



## FSY61X05L(M)(H) FSY61X12L(M)(H) FSY61X24L(M)(H)

### Features

Size: 60×60×10mm(2.36×2.36×0.39in)



Frame/Impeller: Reinforced Plastic UL94V-0

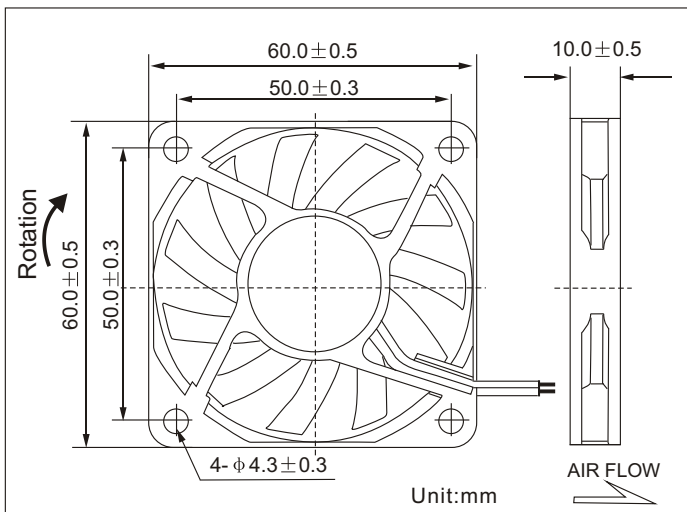
Bearings: Ball Bearing&Sleeve Bearing

Life Expectancy:50,000 Hours at 20°C-Ball  
30,000 Hours at 20°C-Sleeve

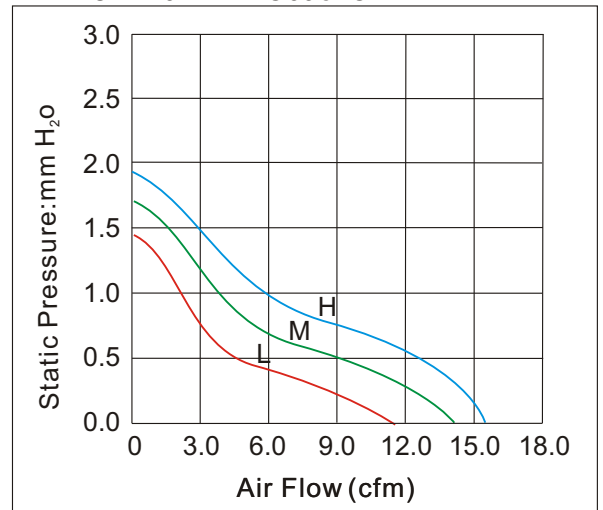
Approvals: UL CUL TUV CE RoHS

Weight: 25g



 E318377 CE TUV AE50078978  
 ▪ RoHS Compliant



### Air Flow vs Air Pressure



### Performance

Model	Bearing System X			Rated Voltage (V)	Current (A)	Input Power (W)	Nominal Speed (R.P.M)	Air Flow (CFM)	Air Pressure (mm-H <sub>2</sub> O)	Noise (dBA)
	S	B	D							
FSY61X05L	✓	✓	✓	5	0.15	0.75	3000	11.25	1.46	26
FSY61X05M	✓	✓	✓	5	0.20	1.00	3500	13.15	1.72	27
FSY61X05H	✓	✓	✓	5	0.25	1.25	4000	15.02	1.92	28
FSY61X12L	✓	✓	✓	12	0.08	0.96	3500	13.15	1.72	27
FSY61X12M	✓	✓	✓	12	0.12	1.44	4500	16.85	2.15	33
FSY61X12H	✓	✓	✓	12	0.18	2.16	5500	20.25	2.55	38
FSY61X24L	✓	✓	✓	24	0.08	1.92	3000	11.25	1.46	26
FSY61X24M	✓	✓	✓	24	0.10	2.40	3500	13.15	1.72	27
FSY61X24H	✓	✓	✓	24	0.12	2.88	4000	15.02	1.92	28

Product specification contained herein may be changed without prior notice.

It is therefore advisable to contact FONSONING ELECTRONICS before proceeding with the design of equipment incorporating this product.

Fonsoning Electronics Corporation 4/F, Building 1, Fumin Yuexinwei Industrial District, Guanlan Town, Shenzhen  
 Tel: 86-755-28015525 • Fax: 86-755-89584557 • E-mail: fsy@fonsoning.com • www.fonsoning.com